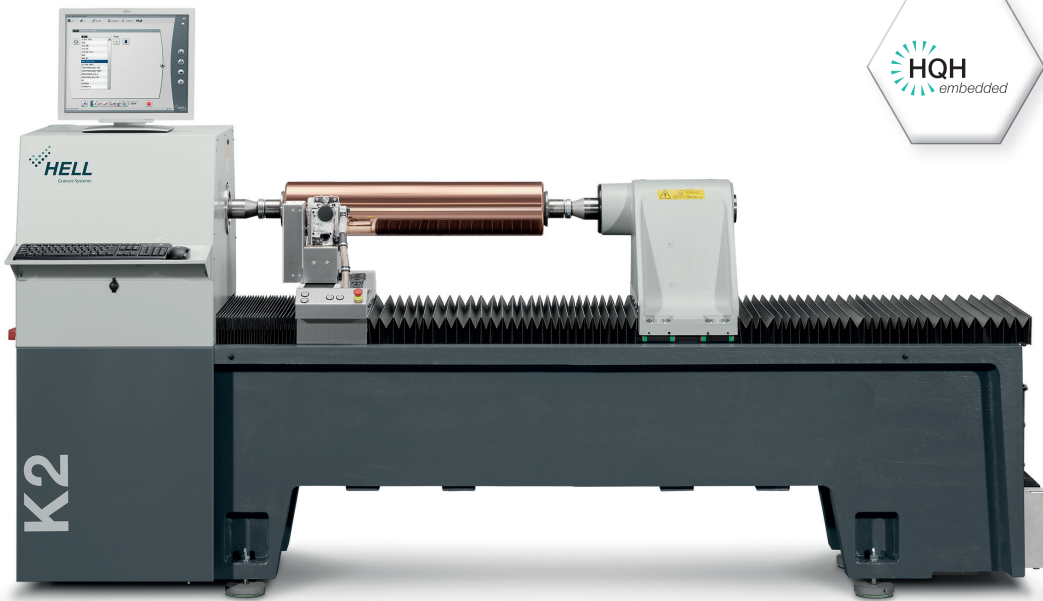


HelioKlischograph K2

5 KHZ ENTRY-LEVEL ENGRAVER



The perfect entry-level engraver

The HelioKlischograph K2 is an ideal, economical entry-level engraver for electromechanical cylinder engraving “Made in Germany” and is fully equipped to handle all types of jobs, including gravure cylinders for contone, vignette, and linework reproduction, and technical cylinders for transferring inks, coatings, and glues. Special features of the K2 include High Quality Hinting, which improves the appearance of fine text and graphics, and MultiTune for sharper lettering.

Fast and flexible

The K2 comes with the speedy 5 kHz HELL CS engraving system as standard. Type B and type CX HELL standard engraving systems can also be used. The K2 operates – depending on the type of engraving system – in an effective screen range of 40 to 140 l/cm at a depth of up to 75 µm with either helical or polar line engraving. Low-color-shift HELL standard angles 0, 2, 3, 4 or freely definable screen angles are used.

Motorized support, integrated autofocus camera, guided operation

A cutting-edge user interface guides K2 operators through the job selection / testcut / engraving steps. The K2 is equipped with a motorized support and an integrated autofocus camera as standard for easy cell measurement. Measurements are adopted and evaluated online.

Technical and functional details

All the benefits at a glance



Design criteria

- 5 kHz engraving speed
- High Quality Hinting, MultiTune
- Easy operation
- Fixed drive block, motorized bearing block
- Integrated autofocus camera
- Motorized positioning of the engraving system
- Guided testcut
- Machine bed, engraving carriage, and bearing blocks are all cast parts
- Operated and controlled by an integrated PC



Basic data

Basic unit (L x H x W)	3100 x 1400 x 765 mm
Space required incl. access area (L x W)	5100 x 2765 mm
Weight	Approx. 2900 kg

Hollow cylinder

Face width	130 - 1400 mm
Circumference	200 - 1100 mm

Shaft cylinder

Face width incl. shafts	130 - 1360 mm Max. 1460 mm
Circumference	200 - 1100 mm

Cylinder weight	Max. 150 kg
Cylinder mounting	HELL Combi pivots with exchangeable inserts
Power supply	Single phase, 230 V, 50/60 Hz
Current consumption	0.9 kVA mean, 1.2 kVA peak
Permissible operating range / recommended quality range	+15 to +35°C / +20 to +24°C

Equipment

Pivot insert	For hollow cylinder openings from 40 - 108 mm
Engraving system	Type CS HELL engraving system
Engraving frequency	Max. 5 kHz
Engraving speed	R60: 0.4 m ² /h / R70: 0.33 m ² /h
Engraving range	Screen 60 - 100 / Effektiv: 50 - 140 l/cm
Engraving depth	Max. 65 µm
Screen angle	Low-color-shift HELL standard angles 0, 2, 3, 4 and freely selectable screen angles from 30° to 65°
Operating modes	Polar line engraving, helical engraving
Gradations	Easy generation and management with HelioDisk
Engraving data	Engraving of TIFF complete forms
Features	HQH embedded, MultiTune
Software	<ul style="list-style-type: none"> ▪ Windows 7 operating system ▪ HelioControl machine control ▪ HelioDisk job programming
Language	English, Chinese

Optional accessories

Type B engraving system	Screen 48 - 60 / Effective: 40 - 85 l/cm Max. engraving depth 75 µm
Type CX engraving system	Screen 60 - 100 / Effective: 40 - 140 l/cm Max. engraving depth 65 µm
Inserts for pivots	Additional inserts for pivots
Stylus adjusting gauge	To fit and remove the engraving stylus
Microscope	To evaluate the engraving results
Wear materials	Engraving styli, burr cutters, slide feet

Subject to design modifications. Errors excepted.

Version: C4

HELL Gravure Systems GmbH & Co. KG

Philipp-Reis-Weg 5
24148 Kiel, Germany

Tel. +49 431 2377 0

Fax +49 431 2377 1235

info@hell-gravure-systems.com

www.hell-gravure-systems.com

A HELIOGRAPH HOLDING COMPANY